



ZhengZhou KeDa Machinery and Instrument Equipment Co.,Ltd.

ABOUT US

ZhengZhou KeDa Machinery and Instrument Equipment Co.,Ltd, established in 1981, is a famous manufacturer of lab equipments located in the central China. The main products are rotary evaporator, glass reactor, drying oven, circulating water vacuum pump, refrigerated circulators, freeze dryer, high temperature circulating water/oil bath, high pressure stirred autoclave and so on. Our company has become apacesetter of the lab Instruments in china.

ZZKD provides industry- leading products from worldwide laboratory equipment manufacturers, serving markets throughout USA, UK, Greece, Poland, Australia, Brazil, South Afric, Ghana, Egypt, Iran, Pakista, thaland, lnda, Malaysia, Singapore etc.



Office

Our team

Front desk

The whole operation process is controlled by frequency conversion, you can choose manual or automatic operation



Parameters

All parts and components of the production process are strictly controlled for the best quality laboratory equipment for customers.

Model	PPTD-10	PPTD-30	PPTD-50	PPTD-135	PPTD-200	PPTD-400	PPTD-500
Drum capacity (L)	14	40	85	185	295	450	510
Jacket volume (L)	22	30	43	75	110	150	155
Loading limit (lbs)	15	60	120	270	500	940	1060
Plant material loading limit (lbs)	4	16	30	70	100	180	240
Speed (R/ min)	2700	1900	1500	1200	1000	960	960
Separation factor (g)	1225	910	755	645	560	620	645
Motor (kW)	1.1	1.5	3	5.5	7.5	15	18.5
Frequency converter (kW)	1.5	2.2	4	7.5	11	18.5	22
Net weight (kg)	280	400	750	1700	2350	3100	3350
Drum diameter (mm)	300	450	600	800	1000	1200	1250



PPTD-30

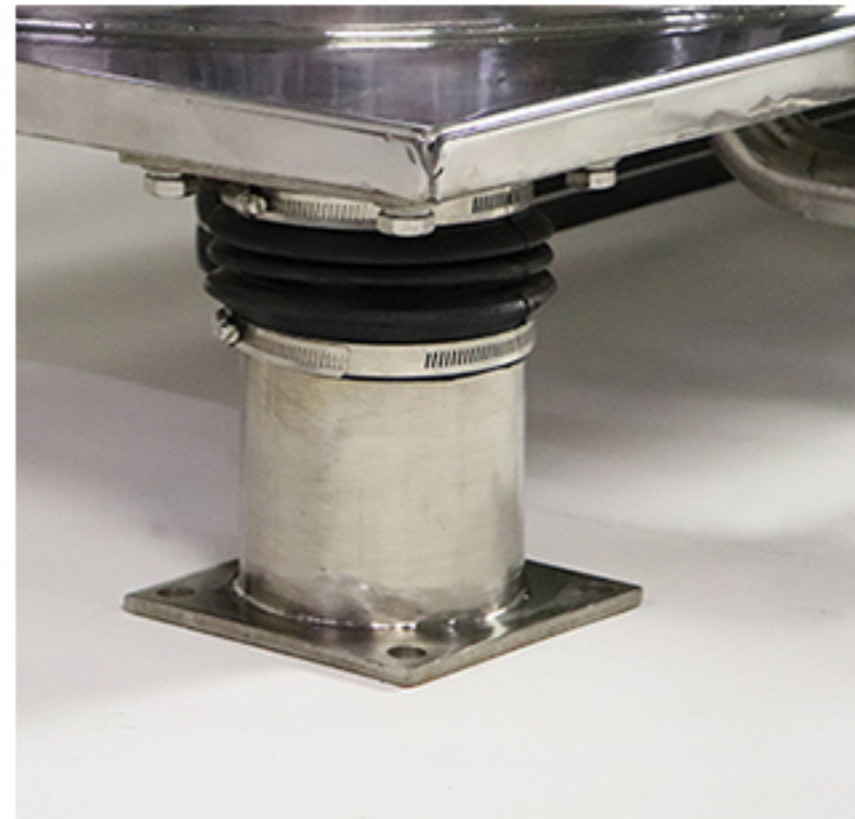
Centrifuge Available in 5/20/40/100/150/200/300L

Machine Overall And Features :

1. Plate type structure.
2. Four support, equipped with high viscosity elastic damping shock absorbers.
3. Variable frequency drive.
4. Sanitary Stainless Steel Construction.
5. No foundation required.
7. Customizable Insulation Sleeve



Damping Shock Absorber



PPTD-30

Damping shock absorber has the advantages of compound vibration isolation and noise reduction, low natural frequency and good vibration isolation effect. It has wide load range, long working life, safe and reliable use.

Explosion-proof motor



PPTD-30

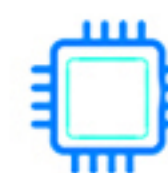
The explosion-proof motor can be used in inflammable and explosive places without producing electric spark during operation, thus ensuring safe production.

Outlet Joint



PPTD-30

Professional welding technology and sealing strip ensure good tightness of equipment, effectively avoid waste of materials.



Reliable Sealing



Explosion-proof Motor



SUS304 Stainless Steel



Frequency Conversion control



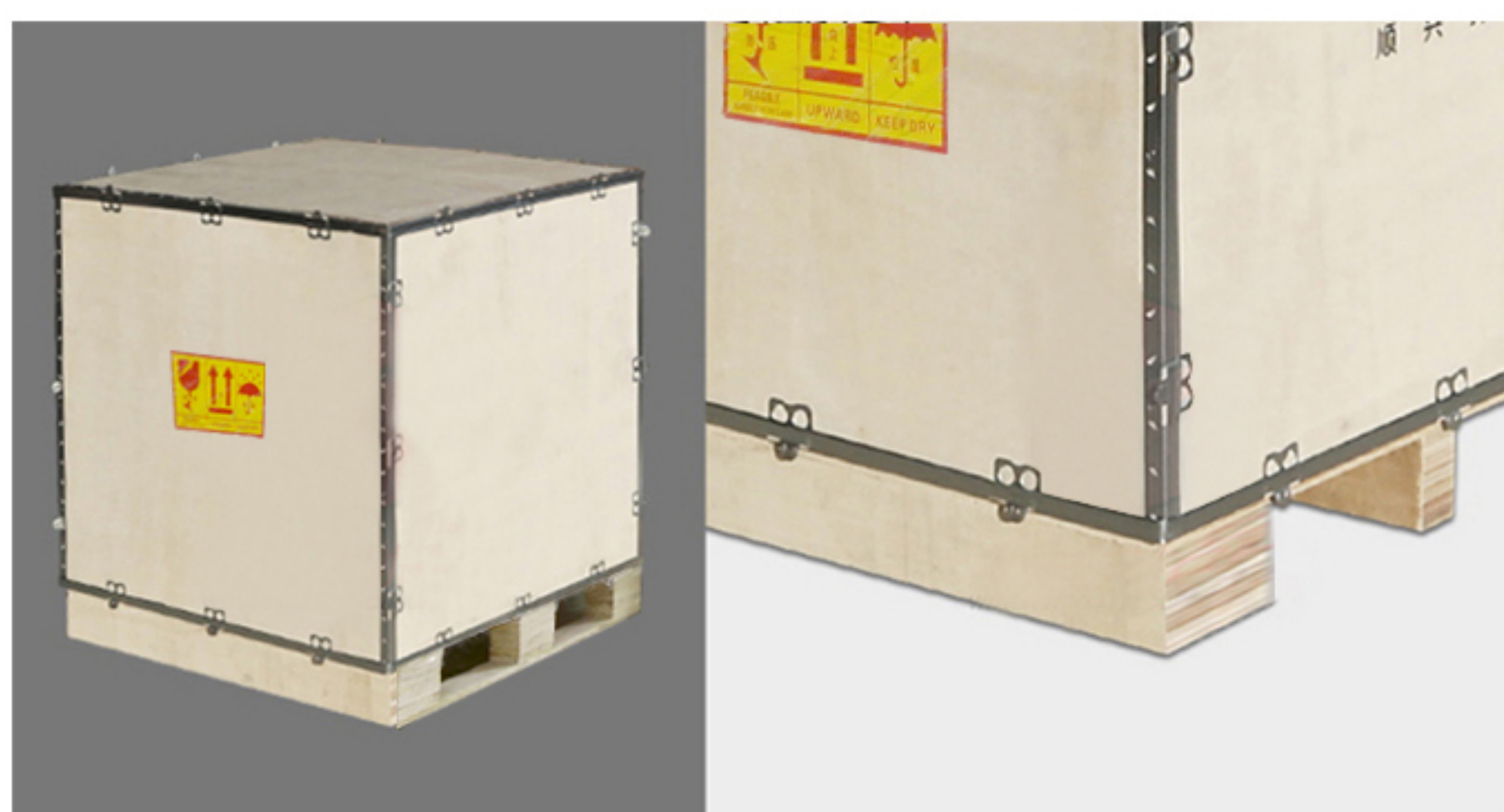
PARTNER



SAFE PACKING

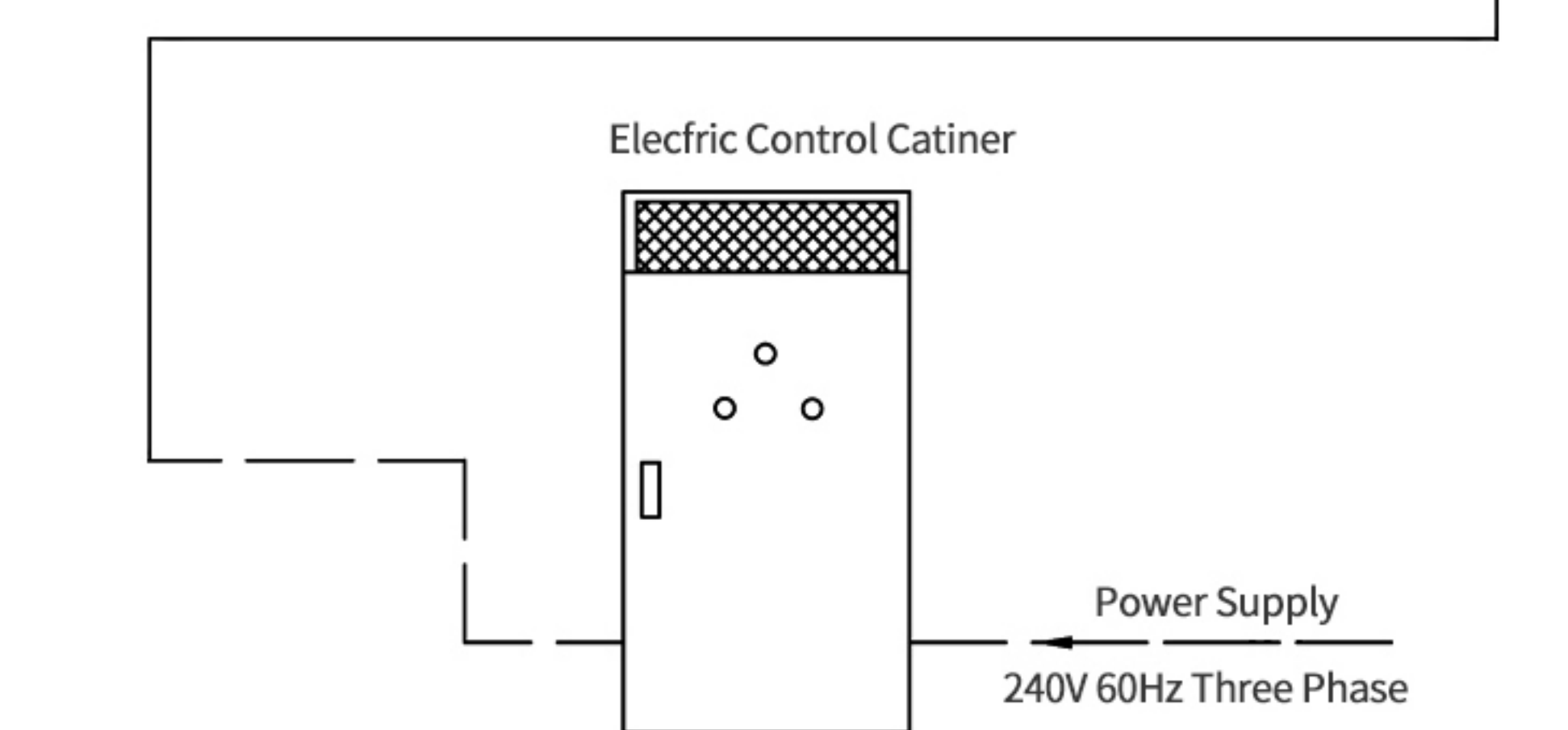
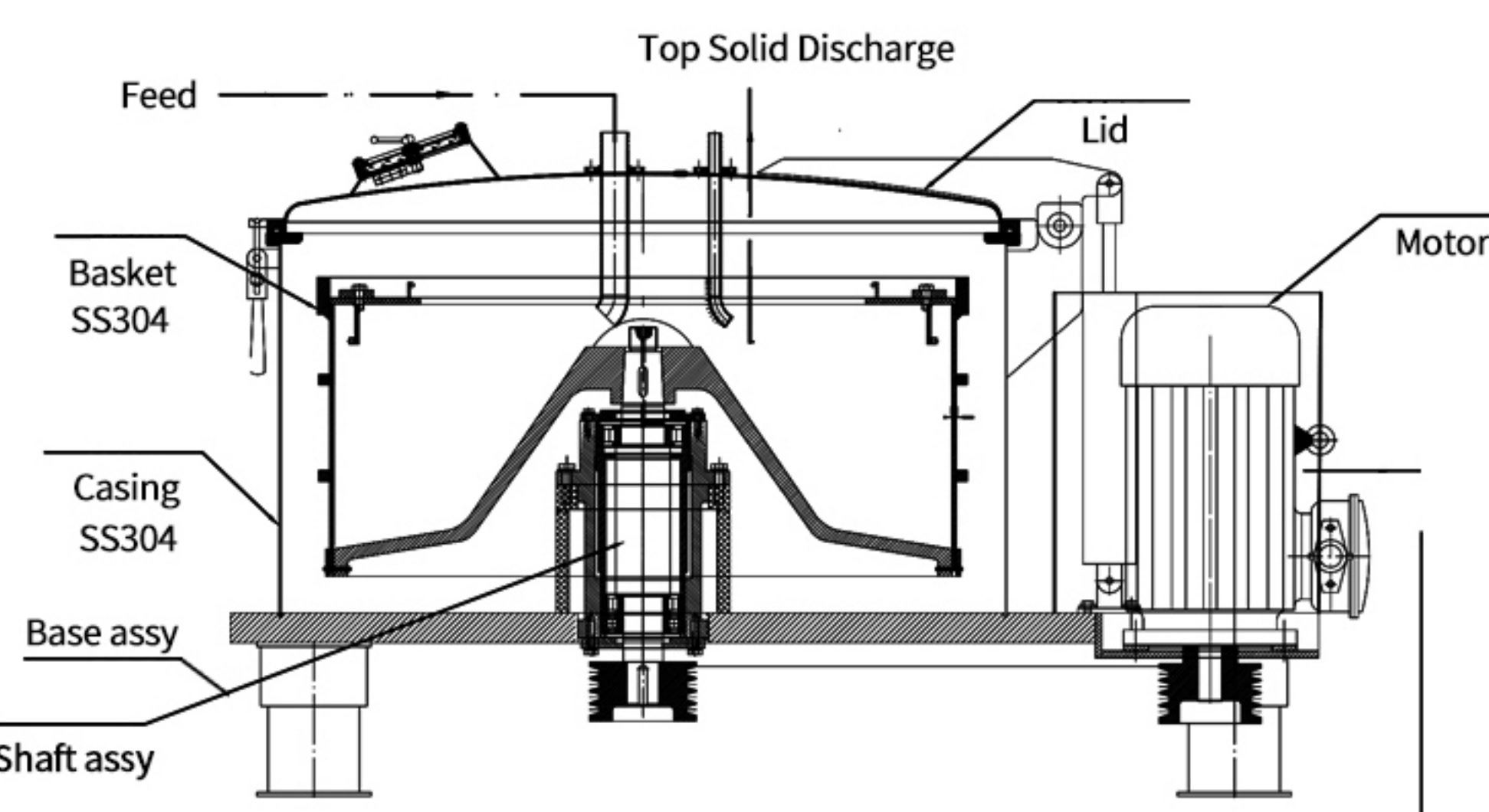
TWO-SIDED ENTRY TRAY

Higher Load bearing, better firmness and Stronger Safety Performance



Product Diagram

Temperature setting and showing are both displayed in digital mode



By ship



By train



By car



By plane

DIVERSE TRANSPORTATION FOR YOUR CHOICE

Transportation



High Speed

Express for sample or urgently orders!

